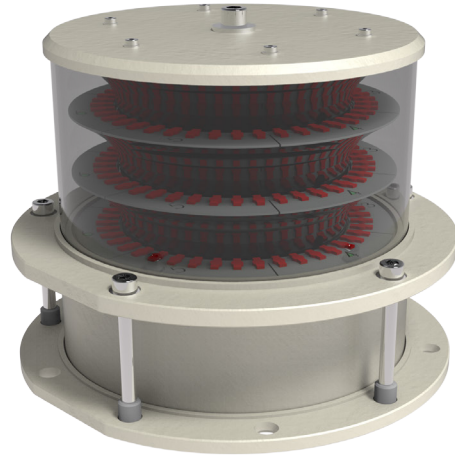


MI-OBS

MEDIUM INTENSITY OBSTRUCTION LIGHT

CE LED IP67 



Medium intensity obstruction lights are used to warn of the presence of obstacles of 45 meters or above in height.

The light fixture is a flashing, medium intensity LED obstruction light as per ICAO Annex 14 Type B or Type C (Med).

Features

- Cost effective, energy efficient obstruction lighting solution
- LED technology reduces maintenance time and costs
- Robust design for use in harsh environments
- Type A / B and Type C configuration
- Optional IR

Configurations

ICAO Medium Intensity, Type B
(flash rate 20-60 fpm)

ICAO Medium Intensity, Type C
(steady burning)

FAA Medium Intensity, Type L-864
(flash rate 20-40 fpm).

Applications

Medium Intensity Obstruction Light for marking top of obstacles of 45 metres in height or above, such as wind turbines, telecom towers, power lines, chimneys, steeples, high-mast lighting towers, cranes, bridges, high-rise buildings.

Technical data

Performance

Light output:	LED
Power:	160W
Peak intensity (Cd):	Complies with ICAO Type A / B and Type C
Input voltage:	110-240V AC or 12-48V DC
Ambient temp:	-25°C to +65°C

Optoelectronics

LED Type:	Osram
Circuit Board:	MPCB 1.6 mm
Colour:	Red
IR	Optional

Optics

Lens:	UV coated polycarbonate
Refraction:	LED optics

Luminaire Body

Material:	Aluminium, powder coated
Length:	320mm
Width:	320mm
Height:	238mm
Weight:	14.2 kg
Mounting:	Rigid
Colour:	White (RAL 9010)
Product life expectancy:	>10 years
Warranty:	5 years
Wind speed:	Up to 240 kph / 150 mph

Compliance

Regulation:	ICAO, FAA, EASA, CAP168, MOSI39
-------------	---------------------------------

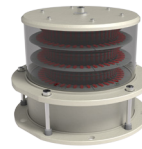
Normative reference

ICAO Aerodromes - Annex 14 Volume I.
FAA AC 150 / 5345 - 43G type L-864.
FAA EB No. 67D.
EASA CS-ADR-DSN Chapter Q.



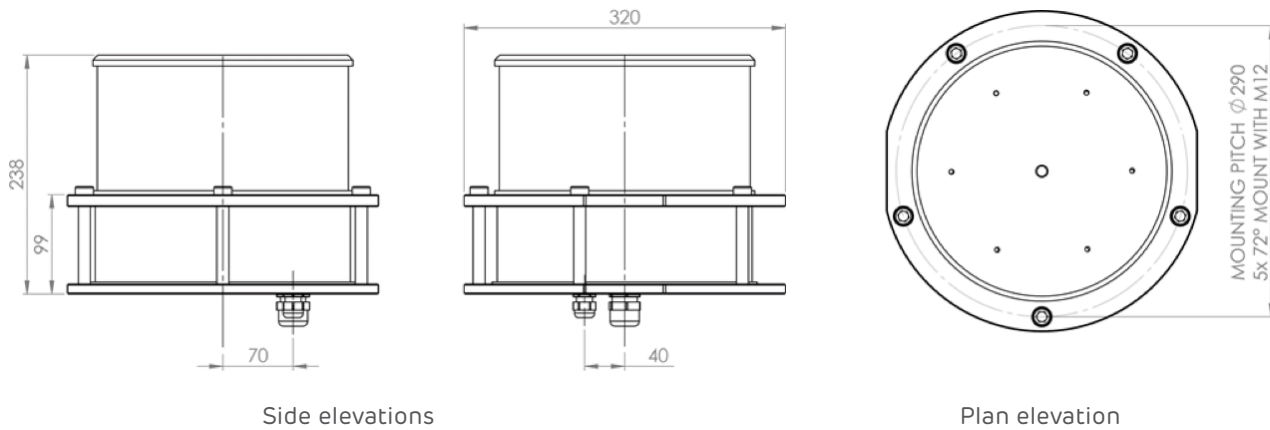
Midstream Lighting Ltd, 1 Chesham Street, London SW1X 8ND UK
Tel +44 207 584 8310 Email navaid@midstreamlighting.com
www.midstreamlighting.com





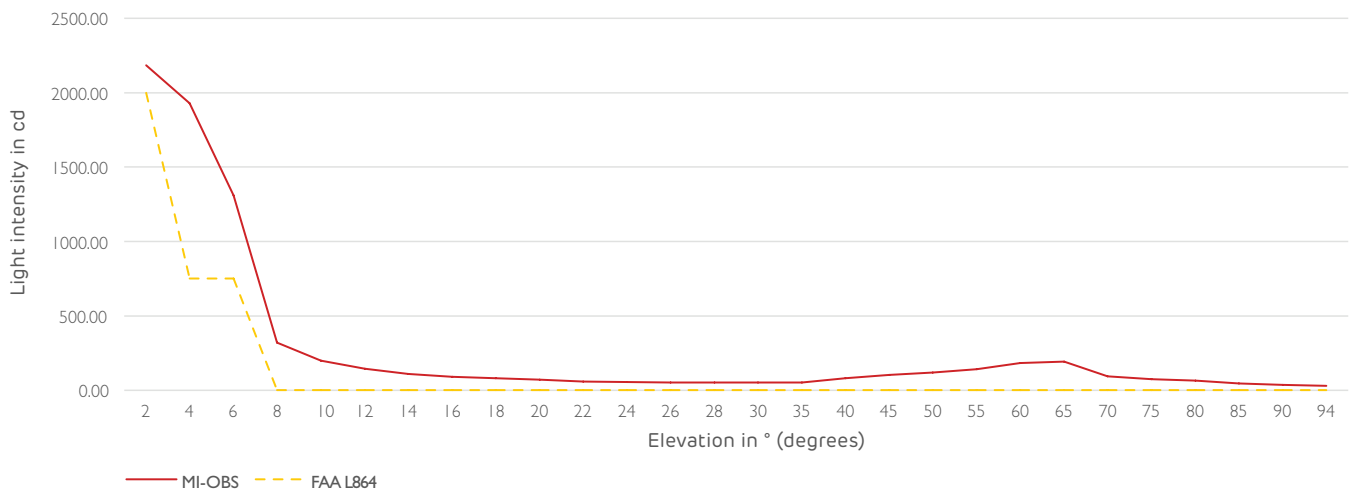
MI-OBS
MEDIUM INTENSITY
OBSTRUCTION LIGHT

Dimensions



Light output

AC 150/5345 - 43G - FAA L-864 - At all radials throughout the omnidirectional 360°, there must be a peak effective intensity of 2,000 ±25% candela. There must also be a minimum effective intensity of 750 candela throughout a minimum vertical beam spread of 3°. Multiple light units may be used to achieve a horizontal coverage of 360°.



Ordering codes

Product family	Colour	Voltage input	Type	Body colour	Optional
MI (Medium Intensity)	RD (Red)	AC (120-240V)	A (Type A)	W (White)	
	IIR (Infrared)	DC (12-48V)	B (Type B)	M (Military)	
	ID (Red/Infrared)		C (Type C)	C (Custom)	

Example: MI-RDACSAW



Midstream Lighting Ltd, | Chesham Street, London SW1X 8ND UK
Tel +44 207 584 8310 Email navaids@midstreamlighting.com
www.midstreamlighting.com

