

# Pinion Gears



***Our range of pinion gears with its special module sizes and numbers of teeth is designed for wind power usage.***

***The pinion gears are supplied already assembled on our rotary limit switches or on encoders.***

***All pinion gears are designed and tested for heavy duty applications where choice of the right materials plays an important role. Our full range is produced of special thermoplastic materials certified for operational temperature of -40°C, which is unique on the market.***

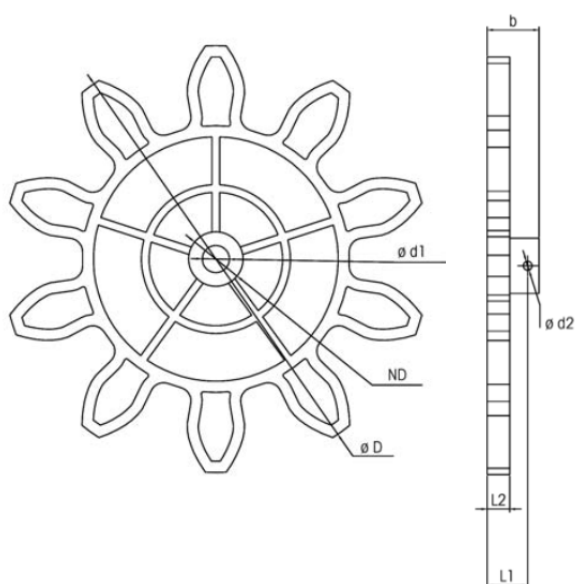
***On this page you can see some of our standard pinion gears which are constantly available for urgent delivery.***



***Beside the standard solutions we have access to the basic necessity of a flexible tooling process and production. Through our network of partners we are able to manufacture prototypes of new types of pinion gears within few weeks and arrange series production after five to six weeks.***

***Based on this special process the production of new tools is profitable also for smaller series.***

***We would be pleased to execute a calculation of profitability also for your demands of pinion gears not listed in our standard range***



Item No.	Module Size	No. Teeth	D (mm)	d1 (mm)	b (mm)	L1 (mm)	d2 (mm)	ND (mm)	L2 (mm)
M5Z12	M5	12	70	12	23	13	4	25	8
M6Z11	M6	11	78	12	23	13	4	25	8
M8Z12	M8	12	112	12	23	13	4	25	9
M10Z12	M10	12	114	12	23	13	4	25	10
M12Z10	M12	10	112	12	23	16	4	25	10
M12Z12	M12	12	168	12	24,2	17	4	25	10
M14Z10	M14	10	168	12	24	17	4	24	10
M16Z10	M16	10	192	12	23	18	4	24,5	10
M18Z10	M18	10	216	12	26	20,5	4	27	11
M18Z11	M18	11	234	12	20	15	4	32	8
M18Z12	M18	12	252	12	23	16	4	25	10
M20Z8	M20	8	200	23	23	17	4	24,5	10

## Wind Cluster

Thorsøhøjen 17 • DK-8600 Silkeborg • Denmark  
 phone +45 70202256 • e-mail info@windcluster.com  
 www.windcluster.com