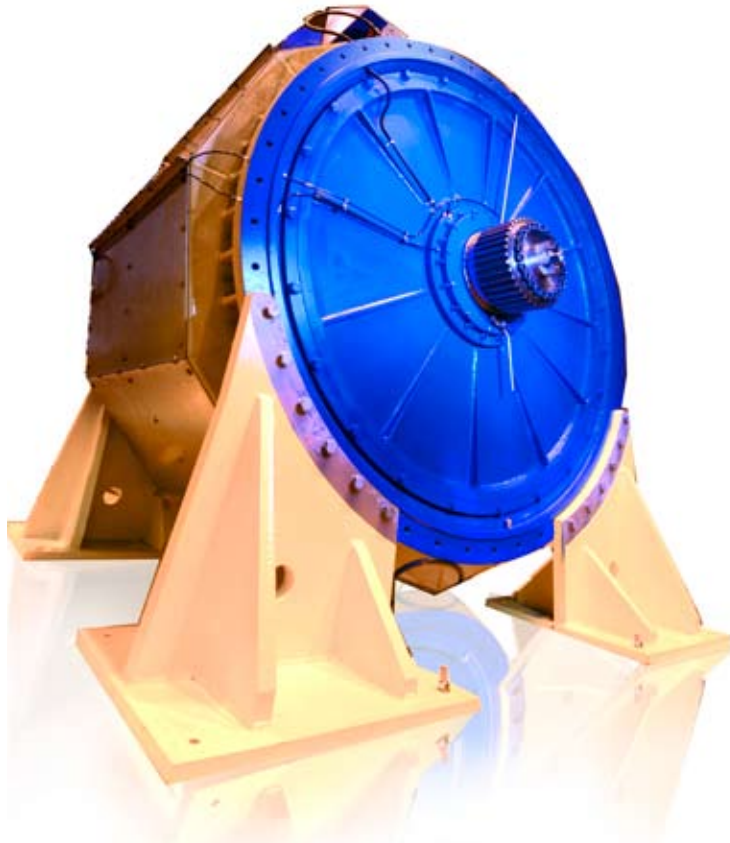


PMR 1350-1650

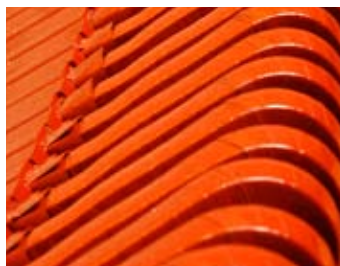
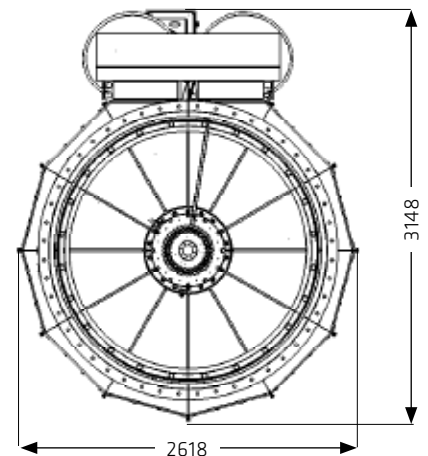
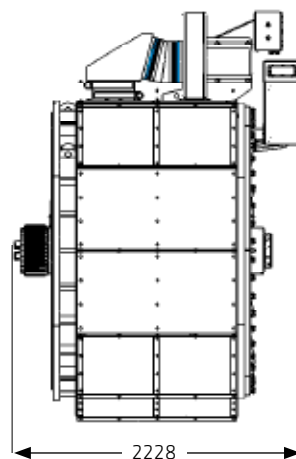
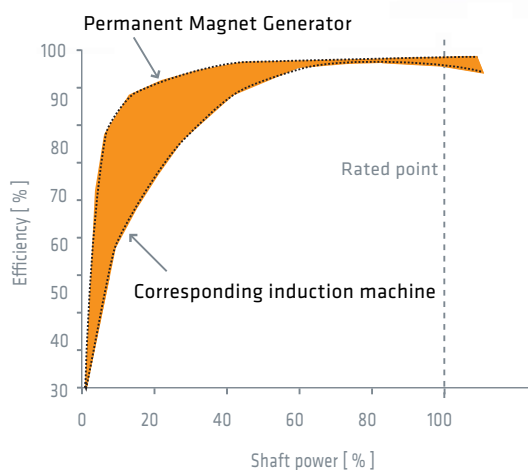
Medium-Speed Permanent Magnet Wind Generator



The Switch Permanent Magnet Generator: up to 20% more energy per year.

The Switch focuses on wind power applications. Our generator and converter packages are optimized for top-performance turbines. The Switch approach is to tailor every solution to the specific needs of its customers. Here is one example.

Number of phases	3
Rated power	1650 kW
Rated speed	150 rpm
Maximum speed	180 rpm
Rated frequency	40 Hz
Cos φ	0.92
Voltage	690 V
Current	1550 A
Protection class	IP54
Insulation class	F
Thermal class	B
Weight	17000 kg
Duty cycle	S1
Cooling system	Air-to-air heat exchanger



The Switch

Äyritie 8 C
 FI-01510 Vantaa, Finland
 Tel +358 20 783 8200
 Fax +358 20 783 8570
www.theswitch.com